



High-frequency transformer

ERL35 Series

Parameters/Dimensions:

ERL35 Type 1

Information:

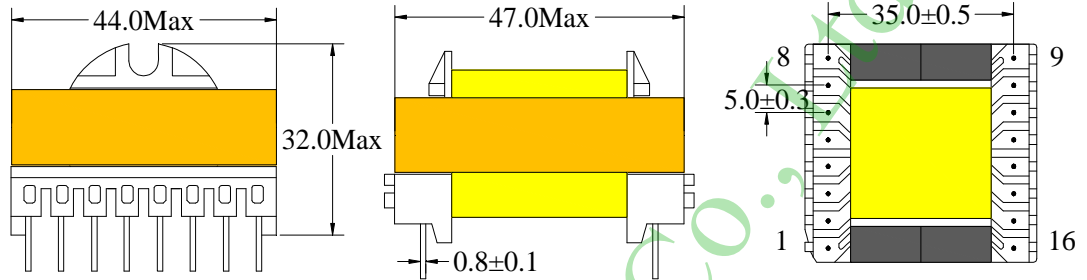
Shape:ERL35

1 Power:160W

2 Mounting Orientation:Horizontal

3 Size: 44 (W) * 47(L) * 32 (H)

4 Effective Ae (mm²): 110.0



ERL35 Type 2

Information:

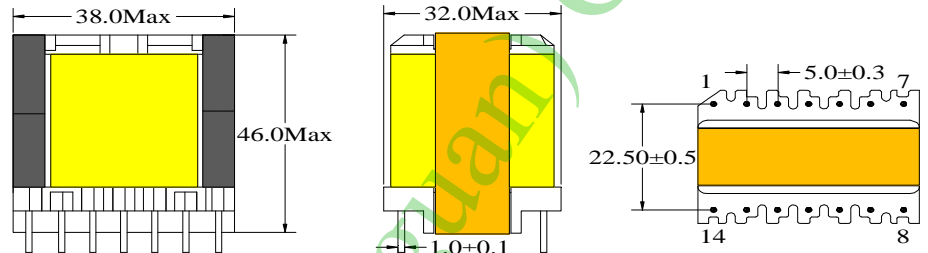
Shape:ERL35

1 Power:160W

2 Mounting Orientation:Vertical

3 Size: 38 (W) * 32(L) * 46 (H)

4 Effective Ae (mm²): 110.0



ERL35 Type 3

Information:

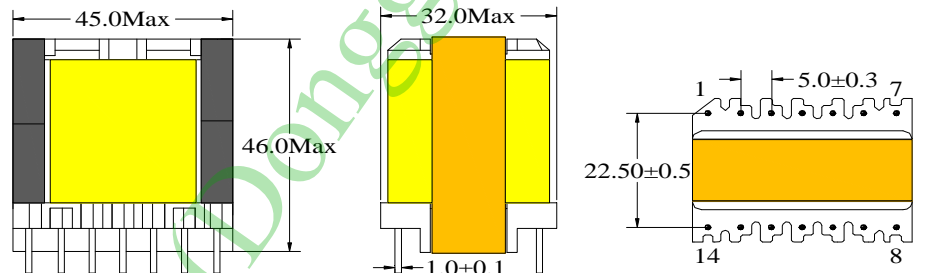
Shape:ERL35

1 Power:160W

2 Mounting Orientation:Vertical

3 Size: 45(W) * 32(L) * 46 (H)

4 Effective Ae (mm²): 110.0



ERL35 Type 4

Information:

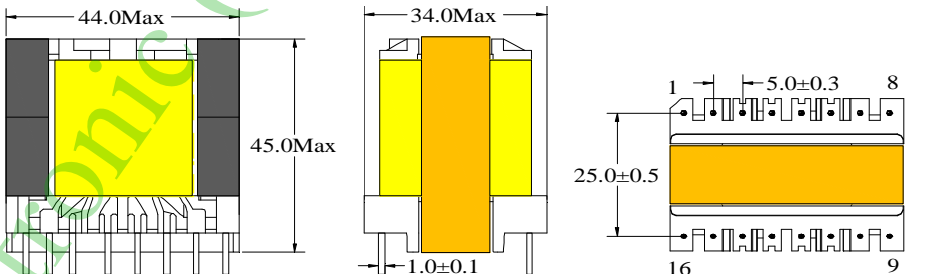
Shape:ERL35

1 Power:160W

2 Mounting Orientation:Vertical

3 Size: 44(W) * 34(L) * 45(H)

4 Effective Ae (mm²): 110.0



ERL35 Type 5

Information:

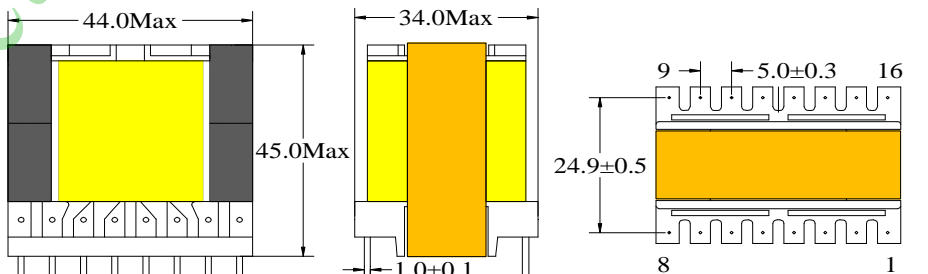
Shape:ERL35

1 Power:160W

2 Mounting Orientation:Vertical

3 Size: 44(W) * 34(L) * 45(H)

4 Effective Ae (mm²): 110.0



ERL35 Type 6

Information:

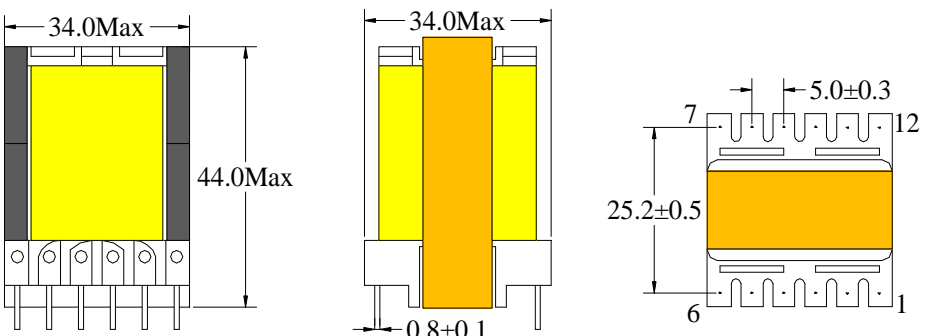
Shape:ERL35

1 Power:160W

2 Mounting Orientation:Vertical

3 Size: 34(W) * 34(L) * 44(H)

4 Effective Ae (mm²): 110.0





High-frequency transformer

ERL35 Series

Parameters/Dimensions:

ERL35 Type 7

Information:

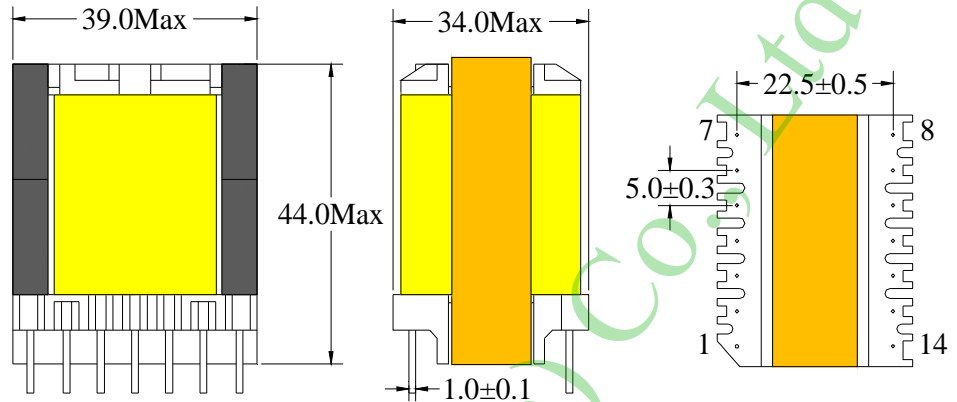
Shape:ERL35

1 Power:160W

2 Mounting Orientation:Vertical

3 Size: 39(W) * 34(L) * 44(H)

4 Effective Ae (mm²): 110.0



ERL35 Type 8

Information:

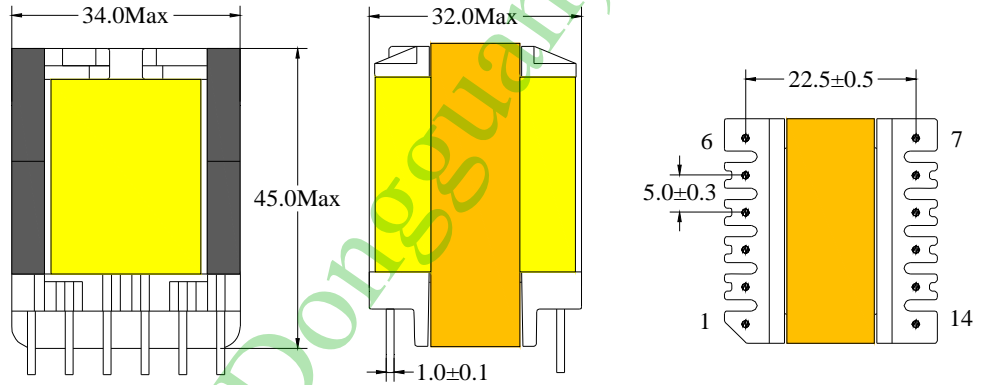
Shape:ERL35

1 Power:160W

2 Mounting Orientation:Vertical

3 Size:34(W) * 32(L) * 45(H)

4 Effective Ae (mm²): 110.0



ERL35 Type 9

Information:

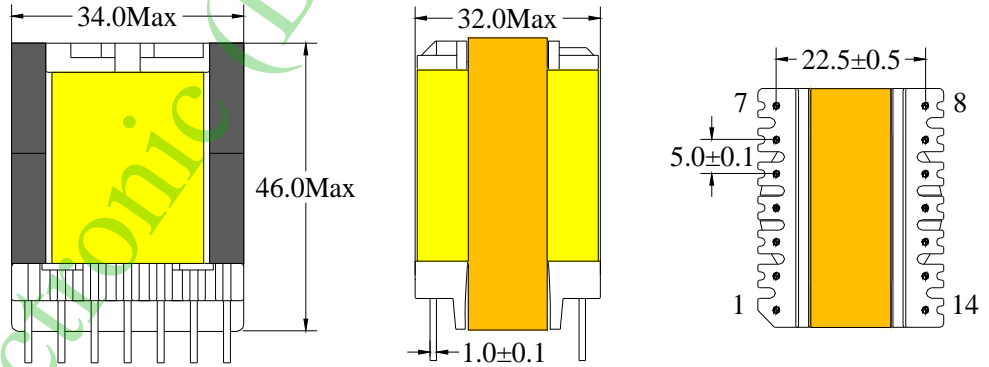
Shape:ERL35

1 Power:160W

2 Mounting Orientation:Vertical

3 Size:34(W) * 32(L) * 46(H)

4 Effective Ae (mm²): 110.0



Bobbin type listed in the traditional style, transformer design parameters to customer needs or to inject prevail.

ERL series high-frequency transformer features:

Coupled good location, in the column for the round, easy winding and winding area increases, can be designed to power large and small leakage inductance of the transformer.

Uses:

Applied to the LLC resonant inductor, DC-DC converters, switching power supply adapter and other main transformer